

# Installation guide

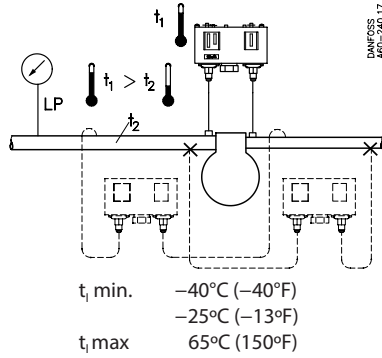
## Pressure switch

### Type KP 21

060R9410

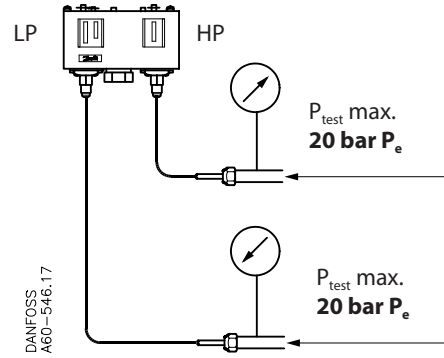
060R9410

#### Ambient temperatures

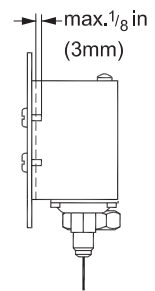
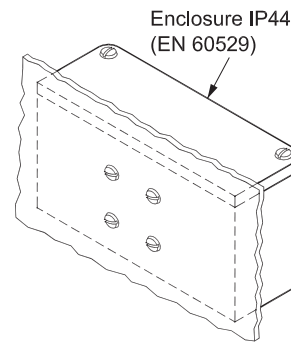
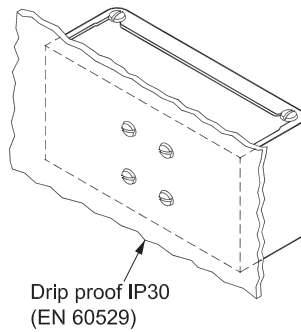
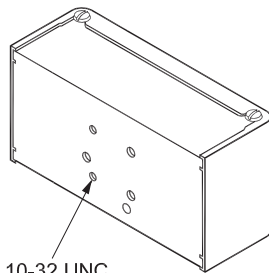


**Caution:** Do not mount a switch in a position where dirt, sediment or oil will affect the operation of the switch.

#### Test pressure ( $p_{test}$ )

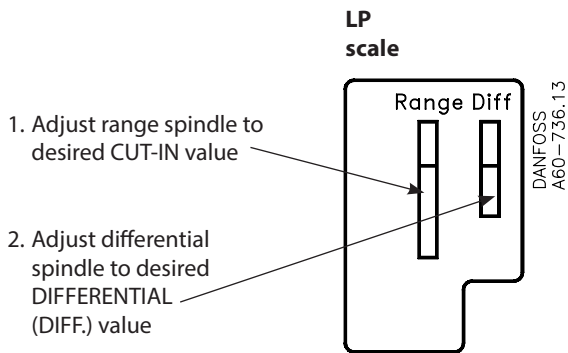


#### Enclosure



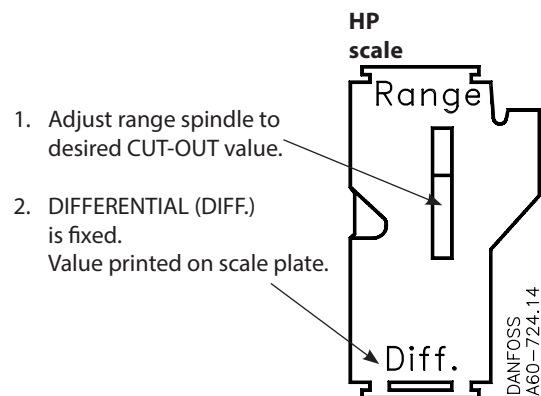
**CAUTION:** The mounting panel must be plane to avoid damage of switch.

#### Low pressure (LP) side setting



CUT-IN minus DIFFERENTIAL equals CUT-OUT

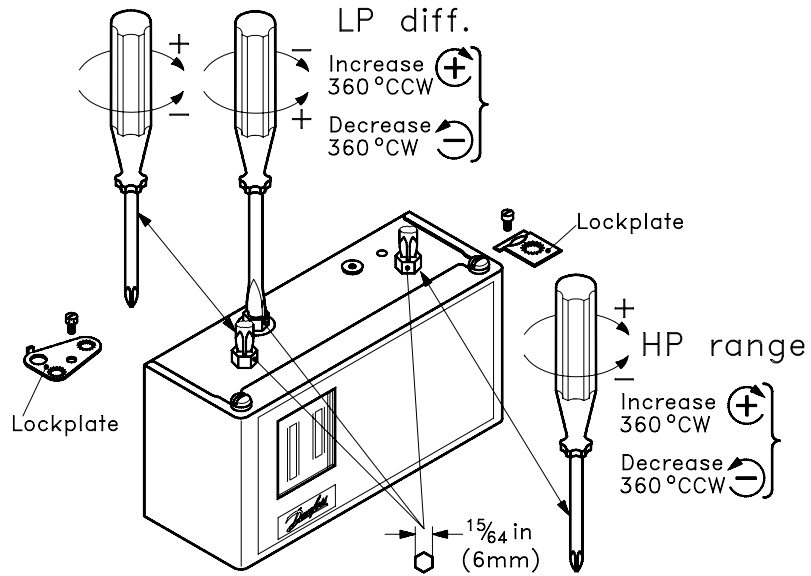
#### High pressure (HP) side setting



CUT-OUT minus DIFFERENTIAL equals CUT-IN

LP range

Increase 360°CW (+)  
Decrease 360°CCW (-)



DANFOSS  
A60-721.16



**CAUTION:**

Disconnect power supply before wiring connections are made or service to avoid possible electrical shock or damage to equipment.  
Do never touch live parts with your fingers or with any tool.

Contact load

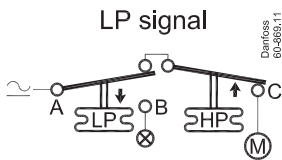
Alternating current:

AC 1: 16 A, 400 V  
AC 3: 16 A, 400 V  
AC15: 10 A, 400 V  
Max. starting current (L.R.): 112 A, 400 V

Direct current:

DC13: 12 W, 220 V control current

Function

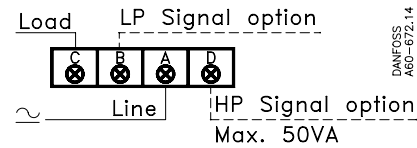


**Note!**

- (M) = Load
- (X) = Signal option
- = Bellows movement on pressure rise
- = Bellows movement on pressure drop

**Controls with low pressure (LP) and high pressure (HP) signal**

Terminal block



**CAUTION:** Use terminal screws furnished in the contact block.  
Use tightening torque (20 lb.) in 2.3 Nm.  
Use copper wire only.

Low pressure (LP) side:  
A-C close on LP rise  
A-C open on LP drop

High pressure (HP) side:  
A-C open on HP rise  
A-C close on HP drop

LP signal option:  
A-B close on LP drop

HP signal option  
A-D close on HP rise