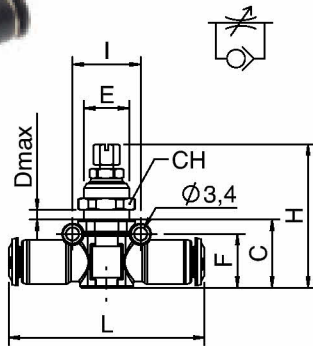


55940

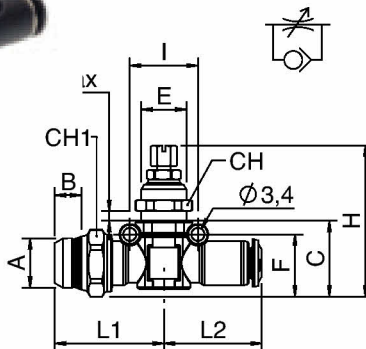
REGULADOR EN LINEA UNIDIRECCIONAL TUBO-TUBO TUBE IN-LINE NEEDLE VALVE (UNIDIRECTIONAL FLOW)



Código Code	Tubo Tube	C	D	E	F	G	H	I	L	CH	Conf. Pack.
5594000004	4	18	4	M12x1	14.5	15	37.5+43.5	18	52	14	10
5594000001	6	18	6	M12x1	14.5	15	37.5+43.5	18	52	14	10
5594000002	8	20	6.5	M14x1	16.5	17	39.5+45.5	20	58	16	10
5594000003	10	23.5	8	M16x1	19.5	19	47.5+53.5	22.5	67	18	10

55945

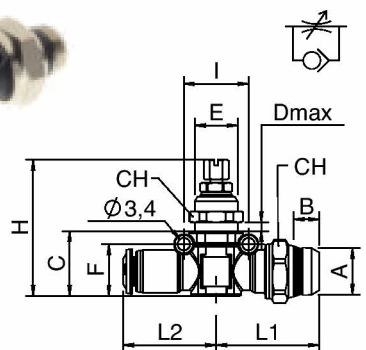
REGULADOR EN LINEA UNIDIRECCIONAL PARA CILINDRO MACHO SHORT-TUBO MALE SHORT-TUBE IN-LINE FLOW CONTROL (CONTROLLED FLOW OUT)



Código Code	Tubo Tube	A	B	C	D	E	F	G	H	I	L1	L2	CH	CH1	Conf. Pack.
5594500007	1/8 4	5.5	20	6	M12x1	16.5	15	39.5+45.5	18	28.5	26	14	16	10	
5594500001	1/8 6	5.5	20	6	M12x1	16.5	15	39.5+45.5	18	28.5	26	14	16	10	
5594500002	1/4 6	7	20	6	M12x1	16.5	15	39.5+45.5	18	28.5	26	14	16	10	
5594500003	1/4 8	7	23	6.5	M14x1	16.5	17	42.5+48.5	20	33.5	29	16	20	10	
5594500004	3/8 8	7.5	23	6.5	M14x1	16.5	17	42.5+48.5	20	33.5	29	16	20	10	
5594500005	3/8 10	7.5	24.5	8	M16x1	20.5	19	42.5+54	22.5	34.5	33.5	18	20	10	
5594500006	1/2 10	9	25	8	M16x1	21	19	42.5+54.5	22.5	34.5	33.5	18	21	10	

55950

REGULADOR EN LINEA UNIDIRECCIONAL PARA VÁLVULA TUBO- MACHO SHORT MALE SHORT-TUBE IN-LINE FLOW CONTROL (CONTROLLED FLOW IN)



Código Code	Tubo Tube	A	B	C	D	E	F	G	H	I	L1	L2	CH	CH1	Conf. Pack.
5595000007	1/8 4	5.5	20	6	M12x1	16.5	15	39.5+45.5	18	29	26	14	16	10	
5595000001	1/8 6	5.5	20	6	M12x1	16.5	15	39.5+45.5	18	29	26	14	16	10	
5595000002	1/4 6	7	20	6	M12x1	16.5	15	39.5+45.5	18	29	26	14	16	10	
5595000003	1/4 8	7	23	6.5	M14x1	16.5	17	42.5+48.5	20	33.5	29	16	20	10	
5595000004	3/8 8	7.5	23	6.5	M14x1	16.5	17	42.5+48.5	20	33.5	29	16	20	10	
5595000005	3/8 10	7.5	24.5	8	M16x1	20.5	19	42.5+54	22.5	34.5	33.5	18	20	10	
5595000006	1/2 10	9	25	8	M16x1	21	19	42.5+54.5	22.5	34.5	33.5	18	21	10	